

# Waterproof DMX512-RDM Decoder

## CQ-RDMX-045WP



CE FC IP67 

Welcome to use the Waterproof Constant Voltage DMX512 Decoder (CQ-RDMX-045WP) which is developed only for constant voltage LED lamps. It adopted advanced micro-computer control technology to transfer standard DMX512/1990 signal to PWM signal. User can choose 1~4 output channels, 4096 gray scales, workable for single color, color temperature, RGB and RGBW led lamp.

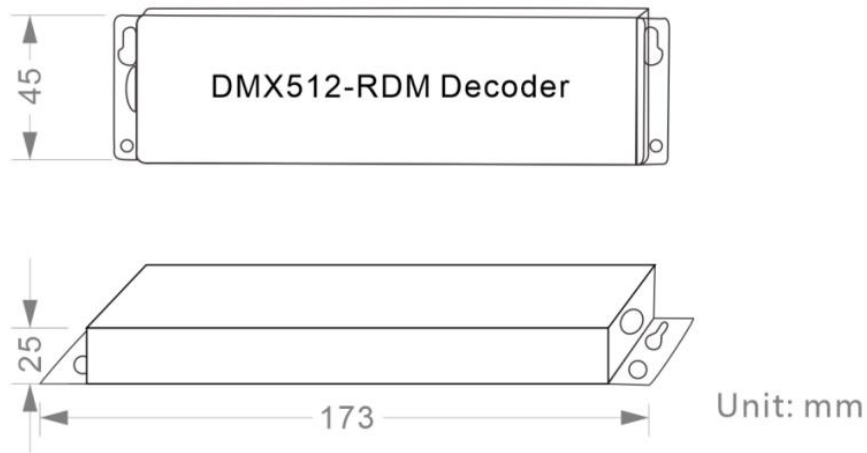
### 1. Features

- Glue pouring process, waterproof grade IP67.
- RDM remote device management, remote setting of parameters.
- Gray level 4096, logarithmic dimming, no stroboscopic.
- Wrong wiring protection at DMX port.
- Over current protection and short circuit protection.
- Default line length: 35cm.

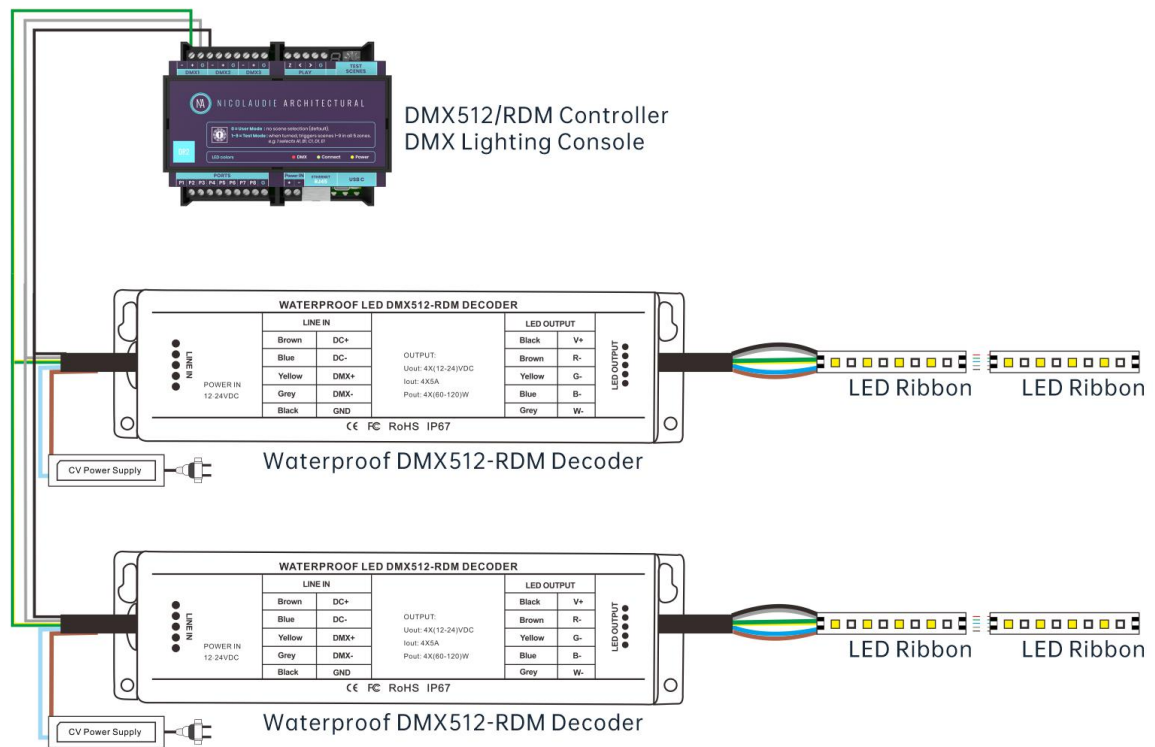
**2. Specifications**

<b>Model No.</b>	CQ-RDMX-045WP
<b>Input Voltage</b>	12~24V DC
<b>Input Signal</b>	DMX512/RDM
<b>Output Current</b>	4CHx5A
<b>Output Power</b>	4CHx60W (12V) 4CHx120W (24V)
<b>Dimensions</b>	173x45x25mm (LxWxH)
<b>Package Dimensions</b>	215x80x30mm (LxWxH)
<b>Weight</b>	310g

**3. Dimensions**



### 4. Wire Diagram



### 5. Notice

- (1) The controller must use DC constant voltage switching power supply with correct voltage;
- (2) Wiring and no short circuit must be completed before power on, no live wiring.
- (3) Wiring is correct and firm to avoid damaging components and triggering fire accidents.
- (4) Install in a well ventilated place to ensure a suitable ambient temperature.
- (5) Avoid use in minefield, strong magnetic field and high voltage area.
- (6) Do not repair without permission. If you have any questions, please contact the supplier.